

# C.I.P.

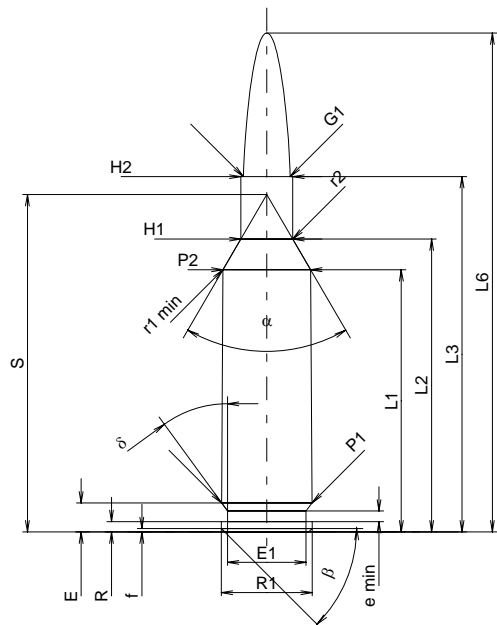
## 6 x 47 SM

Country of Origin: CH

TAB. I

Date 02-01-22

Revision 02-05-15



### CARTRIDGE MAXI

#### Lengths

L1 <sup>1)</sup>	=	34.69	-0.20
L2 <sup>1)</sup>	=	38.74	-0.20
L3 <sup>1)</sup>	=	47.00	
L4	=		
L5	=		
L6	=	66.00	

#### Case Head

R	=	1.37	
R1	=	12.01	
R3	=		
E	=	3.85	
E1	=	10.39	
e min	=	1.40	
delta	=	36°	
f	=	0.45	
beta	=	45°	

#### Powder Chamber

P1	=	11.96	
P2 <sup>1)*</sup>	=	11.59	-0.20

#### Junction Cone

alpha*	=	60°30'	
S*	=	44.63	
r1 min	=	1.50	
r2	=	1.50	

#### Collar

H1*	=	6.87	
H2 <sup>1)</sup>	=	6.87	

#### Projectile

G1 <sup>1)</sup>	=	6.18	
G2	=		
F	=		
L3+G <sup>1)</sup>	=	52.98	

#### Pressures (Energies)

##### Method Transducer

Pmax	=	3900 bar	
PK	=	4485 bar	
PE	=	4875 bar	
M	=	25.00	
EE	=	2730 Joule	

#### Miscellaneous Dimensions

Fe <sup>1)</sup>	=	0.10	
delta L	=		

### CHAMBER MINI

#### Lengths

L1	=	34.51	
L2	=	38.66	
L3 <sup>1)</sup>	=	47.26	

#### Breech

R	=		
R1	=	12.04	
R2	=		
R3	=		
r	=		

#### Powder Chamber

E	=	3.85	
P1 <sup>1)</sup>	=	11.99	
P2*	=	11.70	

#### Junction Cone

alpha <sup>1)*</sup>	=	60°	
S*	=	44.64	
r1 max	=	0.64	
r2	=	1.91	

#### Collar

H1*	=	6.91	
H2 <sup>1)</sup>	=	6.88	

#### Commencement of Rifling

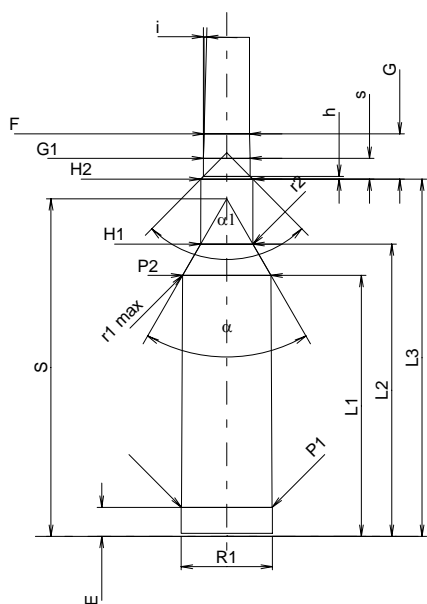
G1 <sup>1)*</sup>	=	6.19	
G <sup>1)</sup>	=	5.98	
alpha1	=	89°10'32"	
h	=	0.35	
s*	=	2.74	
i <sup>1)*</sup>	=	1°35'24"	
w	=		

#### Barrel

F <sup>1)*</sup>	=	6.01	
Z <sup>1)</sup>	=	6.17	

#### Grooves

b	=	2.15	
N	=	6	
u	=	205.00	
Q	=	29.42	mm <sup>2</sup>



Scale 1:1

Dimensions in << mm >>  
Dimensions and Tolerances for Proof Barrels  
see Appendix CR 1.

Notes: 1) Check for safety reasons  
\* Basic dimensions